

**INSTRUCTIONS FOR INSTALLING A TEMPERED (VENTED) THERMOPANE GLASS REPLACEMENT KIT, P/N 4172092, OR A TEMPERED (NON-VENTED) THERMOPANE GLASS REPLACEMENT KIT, P/N 4172093, IN A NATIONAL VENDORS FM-72 MERCHANDISER**

These instructions are to be followed when installing either of the above Kits.

Read these Instructions carefully and thoroughly before doing the actual work of installing the replacement Thermopane Glass. Heed all CAUTIONS and WARNINGS. We suggest each step be checked off as performed.

These Kits do not include a replacement Outer Display Trim Panel. If replacement of the Outer Display Trim Panel is required, the Panel must be ordered separately. See the Crown Seventy Two, Series FM-72 and Golden Furniture Line FM-72 Parts And Service Manual for the appropriate part number.

Kit No. 4172092 consists of the following items:

Part Number	Description	Quantity
417-2091	Tempered Vented Thermopane Glass	1
417-2004	Panel Edge Trim Moulding	1
4172080	Double Faced Tape	100"
417-2081	Installation Instructions * * *	1

Kit No. 4172093 consists of the following items:

Part Number	Description	Quantity
417-2090	Tempered Non-vented Thermopane Glass	1
417-2004	Panel Edge Trim Moulding	1
4172080	Double Faced Tape	100"
4172081	Installation Instructions * * *	1

**NOTE**

1. Thermopane Glass, obtainable only as part of a Kit.
2. Handle the Trim Panel Edge Moulding and Tape Assembly, part number 417-2079, CAREFULLY. Support the Trim Moulding at both ends because it can be easily damaged.

**WARNING**

1. THE DISPLAY DOOR IS HEAVY. ALL OPERATIONS RELATIVE TO DISPLAY DOOR REMOVAL OR REPLACEMENT SHOULD BE DONE ONLY WITH THE HELP OF A SECOND PERSON.
2. ALL PERSONS HANDLING A DISPLAY DOOR IN WHICH THERE IS BROKEN THERMOPANE GLASS OR HANDLING THE DAMAGED OR THE REPLACEMENT THERMOPANE GLASS SHOULD WEAR GLOVES.

**TO REPLACE THE THERMOPANE GLASS:**

**A. REMOVE THE DISPLAY DOOR ASSEMBLY**

1. Unplug the Merchandiser Service Cord from the wall receptacle.
2. Unsnap and remove the left hand piece of vertical Cabinet Trim.
3. Open the Display Door.
4. Unhook the Door Stop from the top of the Door.

**CAUTION**

The screws that are removed from the Merchandiser per these instructions are metric system Screws which cannot be replaced with U.S. threaded screws, therefore, all Screws will be reused. To avoid loss or possible confusion during removal and replacement, all attaching hardware should be kept isolated with the components they attach. Small coin envelopes make convenient storage receptacles for attaching parts and items.

5. Remove the Screws which attaches the Door left Harness Clamps to the Cabinet.
6. Remove the Base Access Panel Assembly from the Merchandiser.
7. Remove the Screws which attach the Support Plate. See Figure 1.
8. Remove the Screws which attach the two Harness Guides to the Cabinet and remove the Harness Guides.
9. Disconnect the Door Harness Connector from the Cabinet Harness Receptacle and remove Harness from Cabinet.
10. Remove the 40 Watt and two 13 Watt Fluorescent Bulbs from the Display Door.
11. Remove the 9 Screws which attach the Door Hinges to the Cabinet and remove the Display Door.

**CAUTION**

1. Support the Display Door when removing or installing the Screws which attach the Hinges.
2. DO NOT attempt to remove or replace the Display Door without the help of a second person.

12. Place the Display Door face side down on a well padded, flat, litter-free surface.

**B. DISASSEMBLE THE DISPLAY DOOR**

1. Remove the 3 Screws which attach the Door Harness Shield to the Upper Retainer Assembly at the top of the Display Door and remove the Door Harness Shield. See Figure 2.
2. Disconnect the Heater Plug and the two Fluorescent Light Plugs.
3. Remove the Screw which attaches the green/yellow Ground Wire to the Door. This Screw is located above the Selection Button Panel Assembly.
4. Remove the 6 Screws which attach the Selection Button Assembly to the Selector Channel Angles.

5. Starting at the end of the Selector Button Assembly which is at the bottom edge of the Display Door, angle the Selector Button Assembly away from the Display Door and remove the Assembly. The Door Harness will come out of the Upper Retainer Assembly when the Assembly is separated from the top edge of the Door.

**NOTE**

*When removing the Selector Button Assembly observe the placement of the Display Door Heater Cable and its relation to the Selector Button Assembly. The location of the Heater Cable is important when replacing the Selector Button Assembly.*

6. Remove the Insulator Strip from the Upper Retainer Assembly.
7. Remove the 10 Screws which attach the 13 Watt Fluorescent Shield Assembly, Selector Channel Angle and Breaker Strip to the Door.
8. Remove the Shield Assembly, Angle, and Breaker Strip from the Display Door.
9. Remove the 6 Screws which attach the Left Hand Retainer and 2 large and 2 small Breaker Strips. DO NOT remove the 40 Watt Fluorescent Shield Assembly from the Retainer.
10. Remove the Retainer and Shield and the Breaker Strips from the Door.
11. Remove the 4 Screws which attach the Lower Retainer Assembly and Breaker Strip to the Door.
12. Remove the Retainer Assembly and Breaker Strip from the Door.
13. Remove the 4 Screws which attach the Upper Retainer Assembly and Breaker Strip.
14. Remove the Retainer Assembly and Breaker Strip from the Door.
15. Remove the Inner Panel Display Trim.
16. Remove the damaged Thermopane Glass.

**WARNING**

**WEAR GLOVES WHEN WORKING WITH THE GLASS.**

17. Remove the Thermopane Gasket from the Thermopane Glass.

18. Remove the Outer Display Trim Panel from the Thermopane Glass. The Panel is attached to the glass with two strips of two-sided self-adhesive Tape.

19. Remove the Trim Panel Edge Moulding from the Outer Display Trim Panel. The Outer Display Trim Panel, if undamaged, will be used in procedure "C".

C. INSTALL THE THERMOPANE GLASS INTO THE DISPLAY DOOR FRAME

1. Lay the Outer Display Trim Panel face-down on a flat padded surface.
2. Clean the rear side of the Trim Panel thoroughly with a solvent to remove all tape residue, dust, grease, or foreign matter.
3. Clean the thick plate of the Thermopane Glass thoroughly.

**NOTE**

*The Trim Panel and Glass must be clean or the Tape will not stick when steps C-6 and C-14 are performed.*

4. Place the 4 pieces of rubber Thermopane Gasket on the replacement Thermopane Glass. The groove in the Gasket is to be on the side of the thickest of the three glass panes in the Thermopane Glass. See Figure 3.
5. Place the replacement Thermopane Glass with the Gasket Assembly on it, on a padded flat, litter-free surface, with the thick pane (groove in the Moulding) up.
6. Be sure the Gasket is tight against the Glass. Attach the piece of Double Faced Tape, part number 4172080, to the Glass. Place the Tape as close as possible to, but not touching the edge of one of the long pieces of Gasket. See Figure 4. DO NOT remove the protective backing from the Tape. This will use approximately half the amount of Tape on the roll.
7. Place the Outer Display Trim Panel in position on the Glass. Placing the Panel against the Glass will indicate how the Panel is to be positioned when step C-14 is performed. This operation will also indicate whether the Trim Panel will extend slightly under the Gasket or not and how much the extension will be.
8. Remove the Outer Display Trim Panel from off the Glass.

9. Remove the Gasket from the Glass.

10. Thoroughly clean the external surface of the Panel Edge Trim Moulding part number 417-2004.

**NOTE**

*Handle the Trim Panel Edge Moulding CAREFULLY. Support the Moulding at both ends because it can be easily damaged.*

11. Attach the remaining amount of the two sided self-adhesion Tape on the Trim Moulding see Figure The edge of the tape should be about 1/16" beyond the edge of the Trim. Do not remove the protective backing from the Tape.
12. Place the Trim Moulding and Tape Assembly, created in step 11 on the edge of the Outer Display Trim Panel. See Figure 6.
13. Remove the protective backing from the Tape on the Glass and from the Tape on the Moulding And Tape Assembly.
14. Carefully place the Assembly created in step C-10 on the Glass. The raw edge of the Assembly is to be toward the edge of the Glass. See Figure 6. Be sure the Assembly is in the position determined when step C-7 was performed.
15. Carefully press the Panel And Moulding against the Glass to assure a tight adhesion of Panel And Moulding to Tape and Tape to Glass.
16. Place the four pieces of Gasket on the Glass. The groove in the Gasket is to be on the side of the thickest of the three glass panes in the Thermoglass, the same face of Glass the Display Panel Assembly is on.
17. Place the replacement Thermoglass and Gasket Assembly on a padded, flat, litter-free surface, with the thick pane (groove in Gasket) up.
18. Wax or lubricate the radiused surface of and in the groove of the Gasket.
19. Place the Display Door Frame on top of the Thermopane Glass with the exterior face of the Door Frame up, and the Hinged edge of the Door Frame toward the edge of the Glass which has the Outer Display Trim Assembly on it. See Figure 7.
20. Work along the inside confines of the Door Frame, using a small tool which does not have sharp edges, manipulate the Gasket up and over the edge of the Door Frame. When complete, all four inner edges of the Door Frame should be properly located inside the groove in the Gasket.

**NOTE**

An alternate method of assembling the Thermopane Glass and Gasket into the Door Frame is to use a single length of sturdy cord to facilitate installation. See Figure 8.

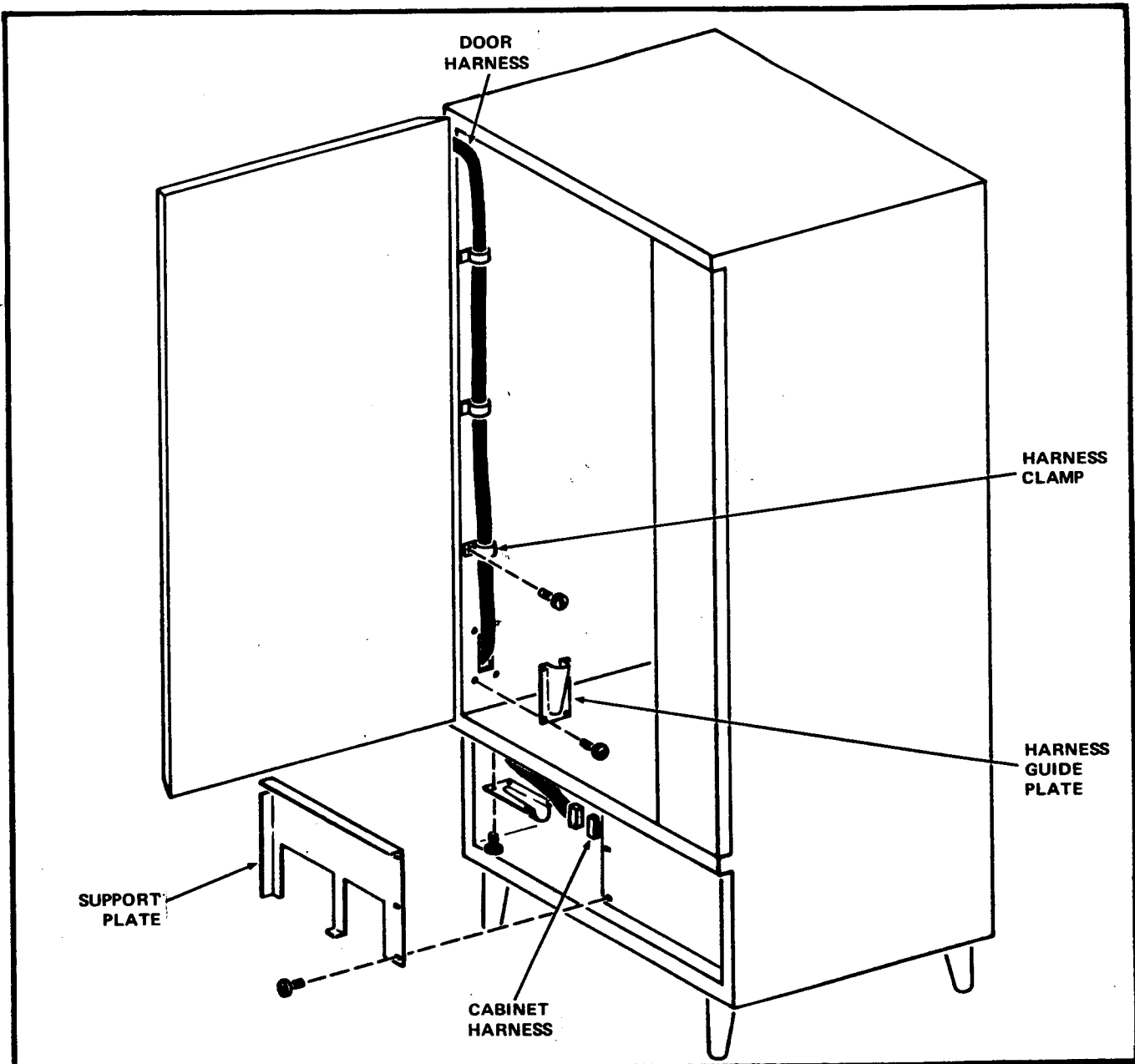
1. Prior to adding the Frame, place the cord in the groove around all four sides of the Gasket so that the ends of the cord cross at one corner of the Gasket.
2. After placing the Frame on the Glass and Gasket Assembly, hold one end of the cord firmly in place and pull the other end up, perpendicular to the Door Frame, to extract the cord from the Gasket. The cord as it is extracted will raise the edge of the Gasket enough to allow the Gasket to move over the Frame

and into place.

21. Wipe the wax or lubricant off of the Gasket.

**D. ASSEMBLE THE DISPLAY DOOR**

1. Carefully turn the Glass and Frame Assembly front face down.
2. Assemble the Display door. Reverse steps B-1 through B-15. See Figure 2.
3. Install the Display Door. Reverse steps A-1 through A-11.
4. Thoroughly test vend the Merchandiser.



**FIGURE 1**

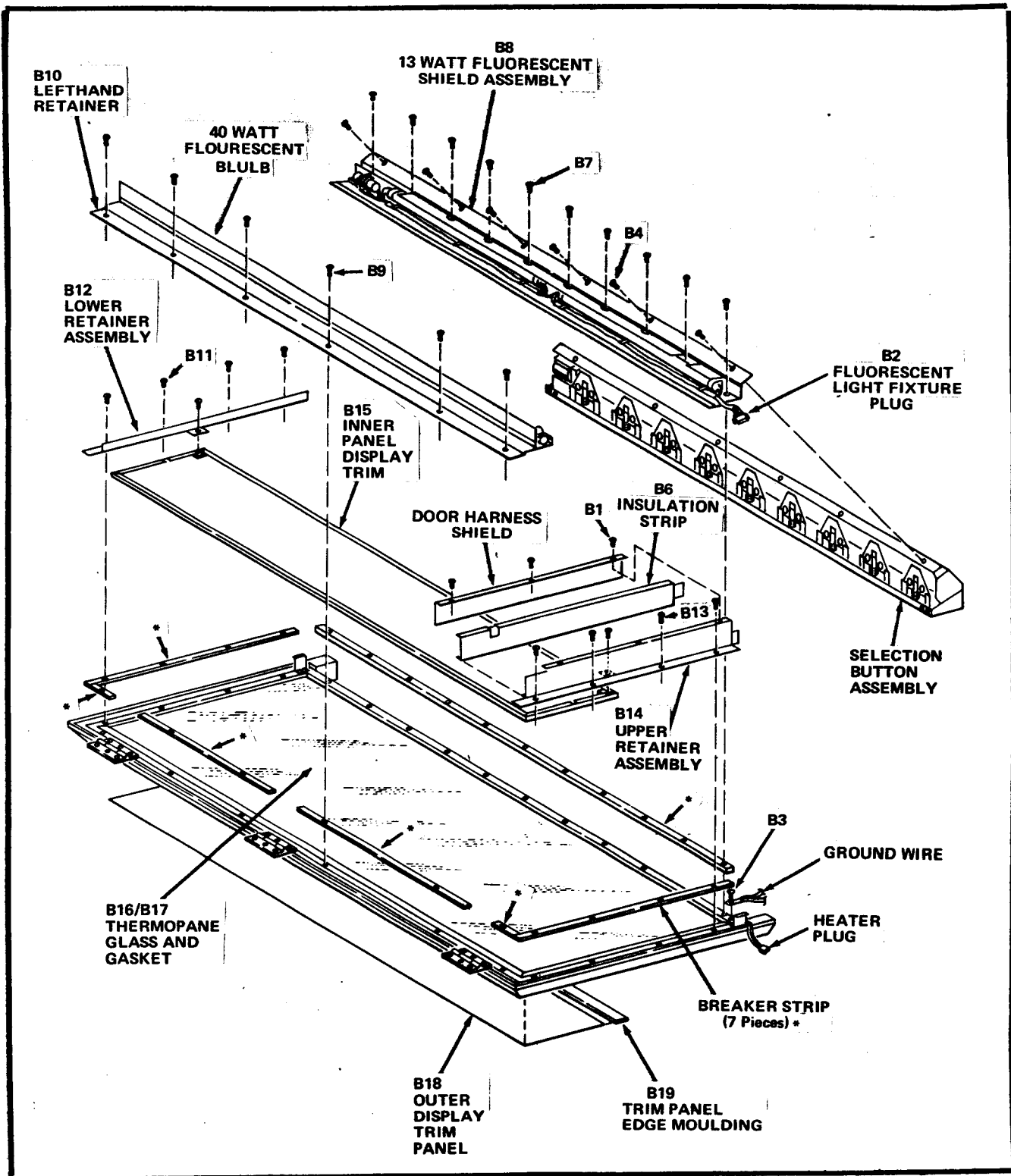


FIGURE 2

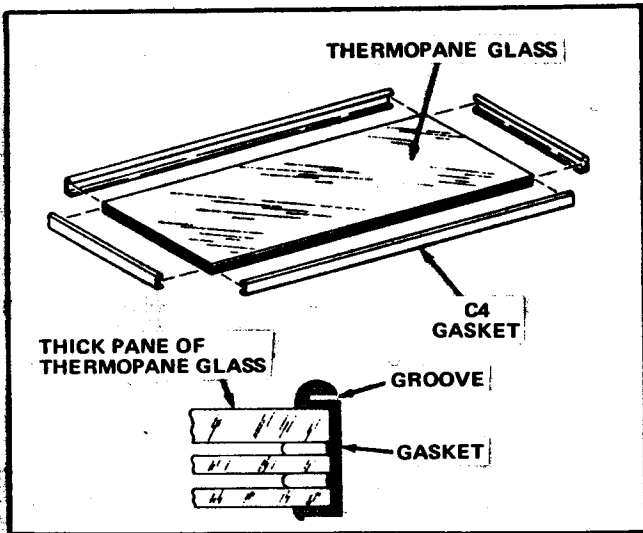


FIGURE 3

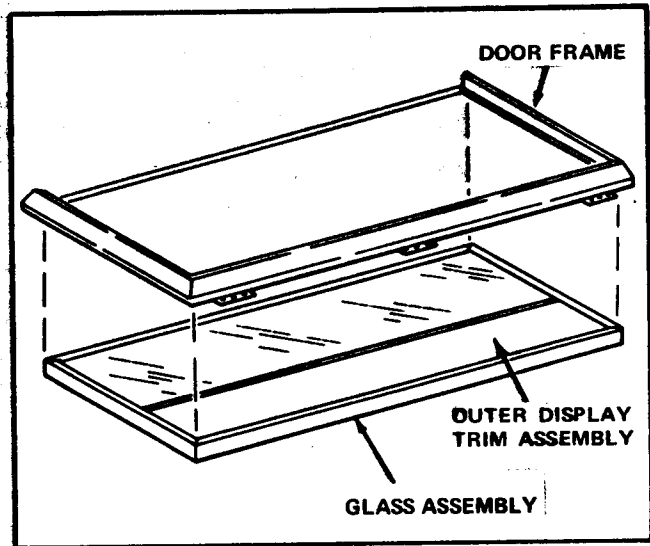


FIGURE 7

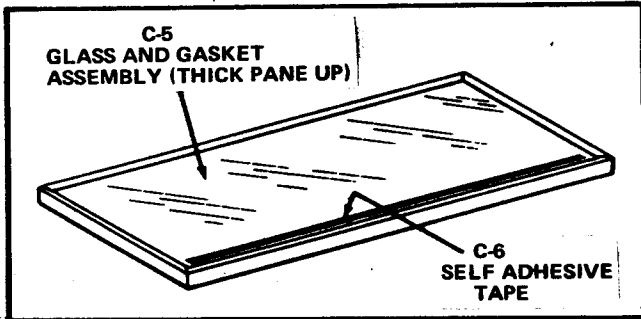


FIGURE 4

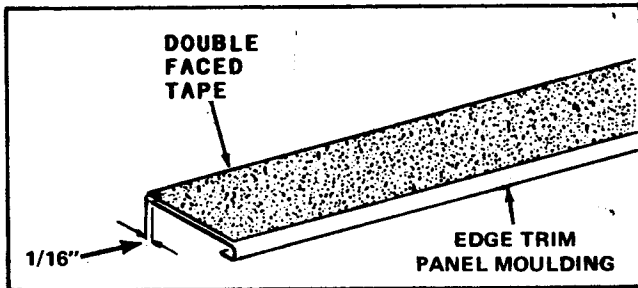


FIGURE 5

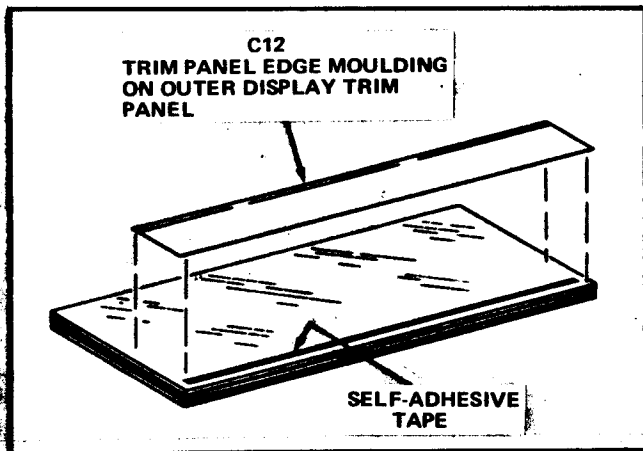


FIGURE 6

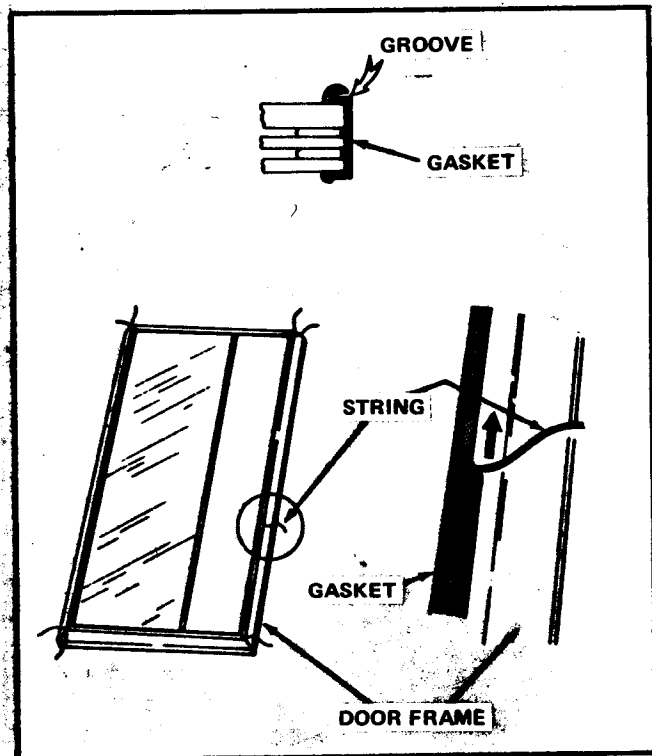


FIGURE 8

EFFECTIVE  
2-11-87

Change  
see PCO 417-3117



NATIONAL VENDORS®

5055 NATURAL BRIDGE • SAINT LOUIS, MO. 63118  
A DIVISION OF UMC INDUSTRIES, INC.

THE NATIONAL VENDORS, CROWN SEVENTY TWO®, SERIES FM-72  
AND GOLDEN FURNITURE LINE FM-72 THERMOPANE GLASS REPLACEMENT KIT  
INSTALLATION INSTRUCTIONS

INSTRUCTIONS FOR INSTALLING A TEMPERED (VENTED) THERMOPANE GLASS  
REPLACEMENT KIT, PIN 4172092, OR A TEMPERED (NON-VENTED) THERMOPANE GLASS  
REPLACEMENT KIT, PIN 4172093, IN A NATIONAL VENDORS FM-72 MERCHANDISER

These instructions are to be followed when installing  
the parts of the ~~Tempered Vented Thermopane Glass Kit,~~  
part number ~~417-2092,~~ or ~~Tempered Non-Vented~~  
~~Thermopane Glass Kit,~~ part number ~~417-2093,~~  
either of the above Kits.

Read these Instructions carefully and thoroughly  
before doing the actual work of installing the replacement  
Thermopane Glass. Heed all CAUTIONS and WARNINGS.  
We suggest each step be checked off as performed.

These Kits do not include a replacement Outer Display  
Trim Panel. If replacement of the Outer Display Trim Panel  
is required, the Panel must be ordered separately. See the  
Crown Seventy Two, Series FM-72 and Golden Furniture  
Line FM-72 Parts And Service Manual for the appropriate  
part number.

WARNING

1. THE DISPLAY DOOR IS HEAVY. ALL OPERATIONS RELATIVE TO DISPLAY DOOR REMOVAL OR REPLACEMENT SHOULD BE DONE ONLY WITH THE HELP OF A SECOND PERSON.
2. ALL PERSONS HANDLING A DISPLAY DOOR IN WHICH THERE IS BROKEN THERMOPANE GLASS OR HANDLING THE DAMAGED OR THE REPLACEMENT THERMOPANE GLASS SHOULD WEAR GLOVES.

~~The Tempered Vented Thermopane Glass Kit,~~ part  
number ~~417-2092,~~ consists of the following items:

KIT NO. 4172092

Part Number	Description	Quantity
417-2091 ✓	Tempered Vented Thermopane Glass	1
417-2004 ✓	Panel Edge Trim Moulding	1
4172007 <del>417-2080</del>	<del>Two Sided Self Adhesive Tape</del>	100"
417-2081 ✓	Installation Instructions	1
	* * *	

Double Faced

TO REPLACE THE THERMOPANE GLASS:

A. REMOVE THE DISPLAY DOOR ASSEMBLY

1. Unplug the Merchandiser Service Cord from the wall receptacle.
2. Unsnap and remove the left hand piece of vertical Cabinet Trim.
3. Open the Display Door.
4. Unhook the Door Stop from the top of the Door.

~~The Non-vented Thermopane Glass Kit,~~ part number  
417-2093, consists of the following items:

KIT NO. 4172093

Part Number	Description	Quantity
417-2090 ✓	Tempered Non-vented Thermopane Glass	1
417-2004 ✓	Panel Edge Trim Moulding	1
4172007 <del>417-2080</del>	<del>Two Sided Self Adhesive Tape</del>	100"
417-2081 ✓	Installation Instructions	1
	* * *	

Double Faced

CAUTION

The screws that are removed from the Merchandiser per these instructions are metric system Screws which cannot be replaced with U.S. threaded screws, therefore, all Screws will be reused. To avoid loss or possible confusion during removal and replacement, all attaching hardware should be kept isolated with the components they attach. Small coin envelopes make convenient storage receptacles for attaching parts and items.

NOTE

1. Thermopane Glass, obtainable only as part of a Kit.
2. Handle the Trim Panel Edge Moulding and Tape Assembly, part number 417-2079, CAREFULLY. Support the Trim Moulding at both ends because it can be easily damaged

Printed in U.S.A.

Copyright © 1975 by National Vendors

A Division of UMC Industries, Inc.  
Crane Co.

4172081-0

417-2081  
Rev. e

5. Remove the Screws which attaches the Door left Harness Clamps to the Cabinet.
6. Remove the Base Access Panel Assembly from the Merchandiser.
7. Remove the Screws which attach the Support Plate. See Figure 1.
8. Remove the Screws which attach the two Harness Guides to the Cabinet and remove the Harness Guides.
9. Disconnect the Door Harness Connector from the Cabinet Harness Receptacle and remove Harness from Cabinet.
10. Remove the 40 Watt and two 13 Watt Fluorescent Bulbs from the Display Door.
11. Remove the 9 Screws which attach the Door Hinges to the Cabinet and remove the Display Door.

**CAUTION**

1. **Support the Display Door when removing or installing the Screws which attach the Hinges.**
2. **DO NOT attempt to remove or replace the Display Door without the help of a second person.**

12. Place the Display Door face side down on a well padded, flat, litter-free surface.

**B. DISASSEMBLE THE DISPLAY DOOR**

1. Remove the 3 Screws which attach the Door Harness Shield to the Upper Retainer Assembly at the top of the Display Door and remove the Door Harness Shield. See Figure 2.
2. Disconnect the Heater Plug and the two Fluorescent Light Plugs.
3. Remove the Screw which attaches the green/yellow Ground Wire to the Door. This Screw is located above the Selection Button Panel Assembly.
4. Remove the 6 Screws which attach the Selection Button Assembly to the Selector Channel Angles.

5. Starting at the end of the Selector Button Assembly which is at the bottom edge of the Display Door, angle the Selector Button Assembly away from the Display Door and remove the Assembly. The Door Harness will come out of the Upper Retainer Assembly when the Assembly is separated from the top edge of the Door.

**NOTE**

*When removing the Selector Button Assembly observe the placement of the Display Door Heater Cable and its relation to the Selector Button Assembly. The location of the Heater Cable is important when replacing the Selector Button Assembly.*

6. Remove the Insulator Strip from the Upper Retainer Assembly.
7. Remove the 10 Screws which attach the 13 Watt Fluorescent Shield Assembly, Selector Channel Angle and Breaker Strip to the Door.
8. Remove the Shield Assembly, Angle, and Breaker Strip from the Display Door.
9. Remove the 6 Screws which attach the Left Hand Retainer and 2 large and 2 small Breaker Strips. **DO NOT** remove the 40 Watt Fluorescent Shield Assembly from the Retainer.
10. Remove the Retainer and Shield and the Breaker Strips from the Door.
11. Remove the 4 Screws which attach the Lower Retainer Assembly and Breaker Strip to the Door.
12. Remove the Retainer Assembly and Breaker Strip from the Door.
13. Remove the 4 Screws which attach the Upper Retainer Assembly and Breaker Strip.
14. Remove the Retainer Assembly and Breaker Strip from the Door.
15. Remove the Inner Panel Display Trim.
16. Remove the damaged Thermopane Glass.

**WARNING**

**WEAR GLOVES WHEN WORKING WITH THE GLASS.**

17. Remove the Thermopane Gasket from the Thermopane Glass.



18. Remove the Outer Display Trim Panel from the Thermopane Glass. The Panel is attached to the glass with two strips of two-sided self-adhesive Tape.
19. Remove the Trim Panel Edge Moulding from the Outer Display Trim Panel. The Outer Display Trim Panel, if undamaged, will be used in procedure "C".

C. INSTALL THE THERMOPANE GLASS INTO THE DISPLAY DOOR FRAME

1. Lay the Outer Display Trim Panel face-down on a flat padded surface.
2. Clean the rear side of the Trim Panel thoroughly with a solvent to remove all tape residue, dust, grease, or foreign matter.
3. Clean the thick plate of the Thermopane Glass thoroughly.

NOTE

*The Trim Panel and Glass must be clean or the Tape will not stick when steps C-6 and C-14 are performed.*

4. Place the 4 pieces of rubber Thermopane Gasket on the replacement Thermopane Glass. The groove in the Gasket is to be on the side of the thickest of the three glass panes in the Thermopane Glass. See Figure 3.
5. Place the replacement Thermopane Glass with the Gasket Assembly on it, on a padded flat, litter-free surface, with the thick pane (groove in the Moulding) up.
6. Be sure the Gasket is tight against the Glass. Attach the piece of ~~two-sided self-adhesive~~ <sup>double faced</sup> Tape, part number ~~417-2080~~, to the Glass. Place the Tape as close as possible to, but not touching the edge of one of the long pieces of Gasket. See Figure 4. DO NOT remove the protective backing from the Tape. This will use approximately half the amount of Tape on the roll.
7. Place the Outer Display Trim Panel in position on the Glass. Placing the Panel against the Glass will indicate how the Panel is to be positioned when step C-14 is performed. This operation will also indicate whether the Trim Panel will extend slightly under the Gasket or not and how much the extension will be.
8. Remove the Outer Display Trim Panel from off the Glass.
9. Remove the Gasket from the Glass.

10. Thoroughly clean the external surface of the Panel Edge Trim Moulding part number 417-2004.

NOTE

*Handle the Trim Panel Edge Moulding CAREFULLY. Support the Moulding at both ends because it can be easily damaged.*

11. Attach the remaining amount of the two sided self-adhesion Tape on the Trim Moulding see Figure 5. The edge of the tape should be about 1/16" beyond the edge of the Trim. Do not remove the protective backing from the Tape.
12. Place the Trim Moulding and Tape Assembly, created in step 11 on the edge of the Outer Display Trim Panel. See Figure 6.
13. Remove the protective backing from the Tape on the Glass and from the Tape on the Moulding And Tape Assembly.
14. Carefully place the Assembly created in step C-10 on the Glass. The raw edge of the Assembly is to be toward the edge of the Glass. See Figure 6. Be sure the Assembly is in the position determined when step C-7 was performed.
15. Carefully press the Panel And Moulding against the Glass to assure a tight adhesion of Panel And Moulding to Tape and Tape to Glass.
16. Place the four pieces of Gasket on the Glass. The groove in the Gasket is to be on the side of the thickest of the three glass panes in the Thermoglass, the same face of Glass the Display Panel Assembly is on.
17. Place the replacement Thermoglass and Gasket Assembly on a padded, flat, litter-free surface, with the thick pane (groove in Gasket) up.
18. Wax or lubricate the radiused surface of and in the groove of the Gasket.
19. Place the Display Door Frame on top of the Thermopane Glass with the exterior face of the Door Frame up, and the Hinged edge of the Door Frame toward the edge of the Glass which has the Outer Display Trim Assembly on it. See Figure 7.
20. Work along the inside confines of the Door Frame, using a small tool which does not have sharp edges, manipulate the Gasket up and over the edge of the Door Frame. When complete, all four inner edges of the Door Frame should be properly located inside the groove in the Gasket.

**NOTE**

An alternate method of assembling the Thermopane Glass and Gasket into the Door Frame is to use a single length of sturdy cord to facilitate installation. See Figure 8.

1. Prior to adding the Frame, place the cord in the groove around all four sides of the Gasket so that the ends of the cord cross at one corner of the Gasket.
2. After placing the Frame on the Glass and Gasket Assembly, hold one end of the cord firmly in place and pull the other end up, perpendicular to the Door Frame, to extract the cord from the Gasket. The cord as it is extracted will raise the edge of the Gasket enough to allow the Gasket to move over the Frame

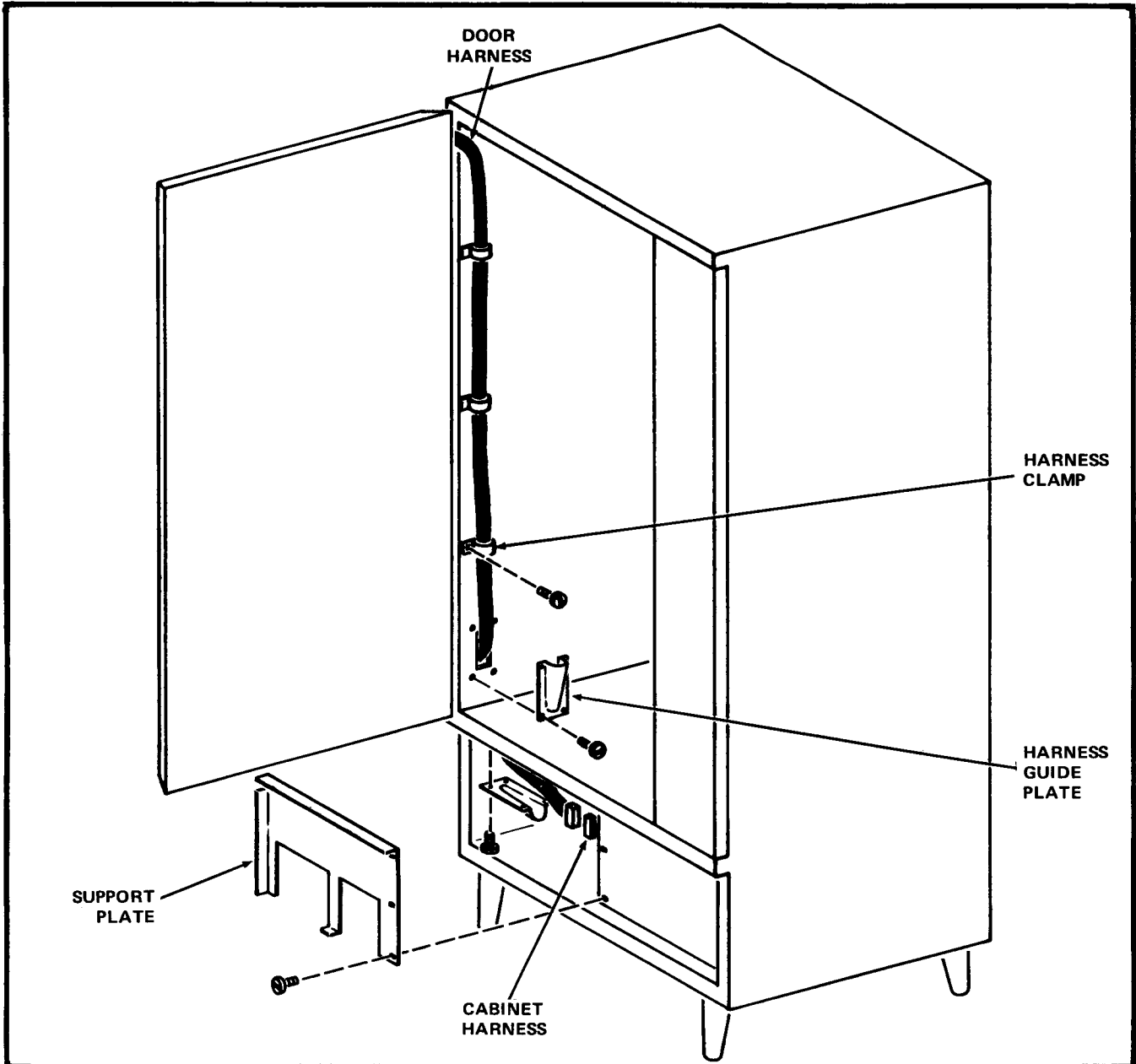
*original OK*

and into place.

21. Wipe the wax or lubricant off of the Gasket.

**D. ASSEMBLE THE DISPLAY DOOR**

1. Carefully turn the Glass and Frame Assembly front face down.
2. Assemble the Display door. Reverse steps B-1 through B-15. See Figure 2.
3. Install the Display Door. Reverse steps A-1 through A-11.
4. Thoroughly test vend the Merchandiser.



**FIGURE 1**

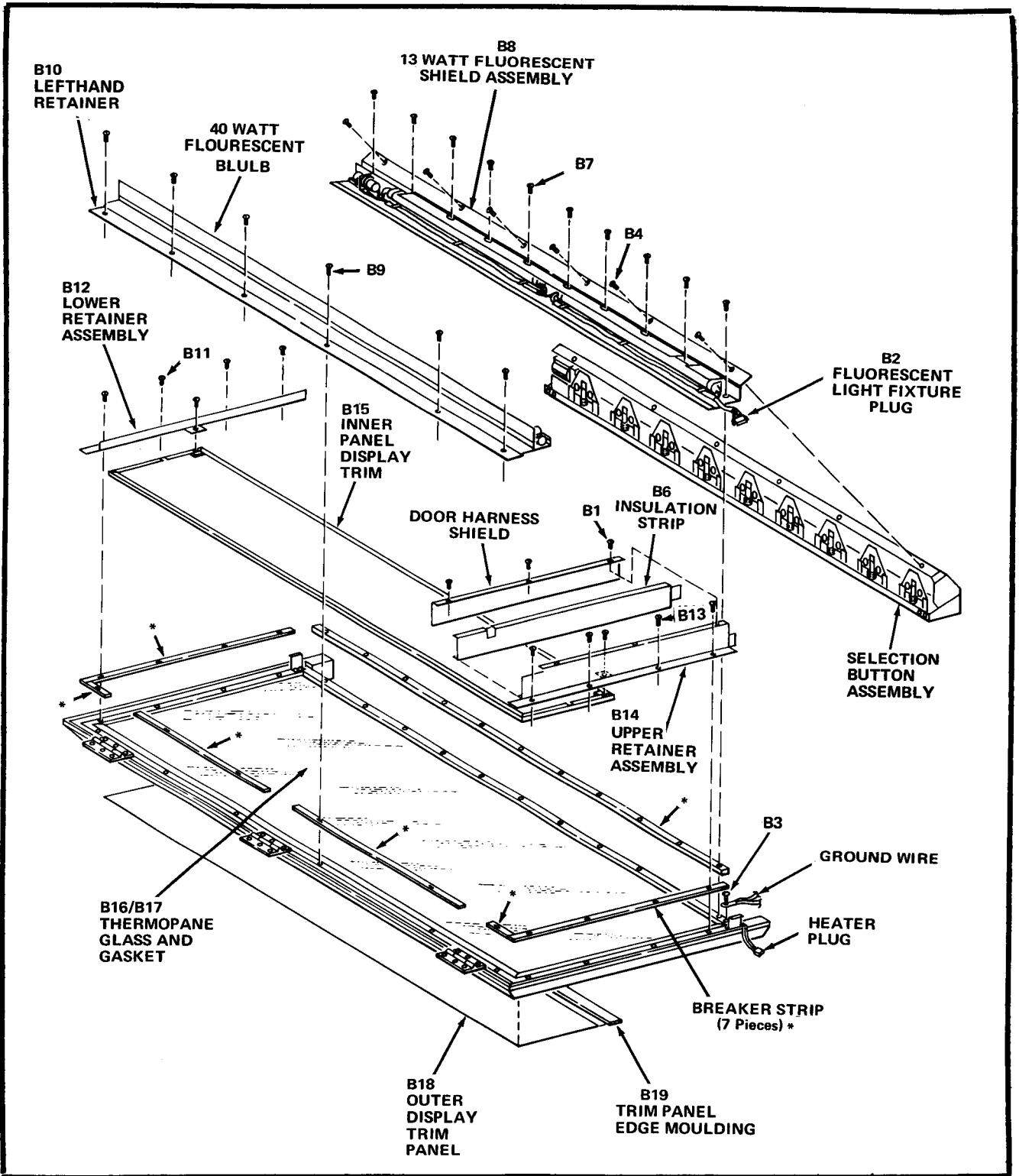


FIGURE 2

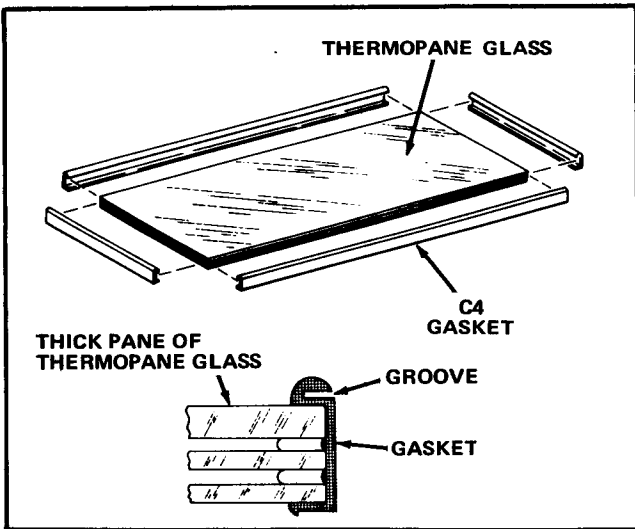


FIGURE 3

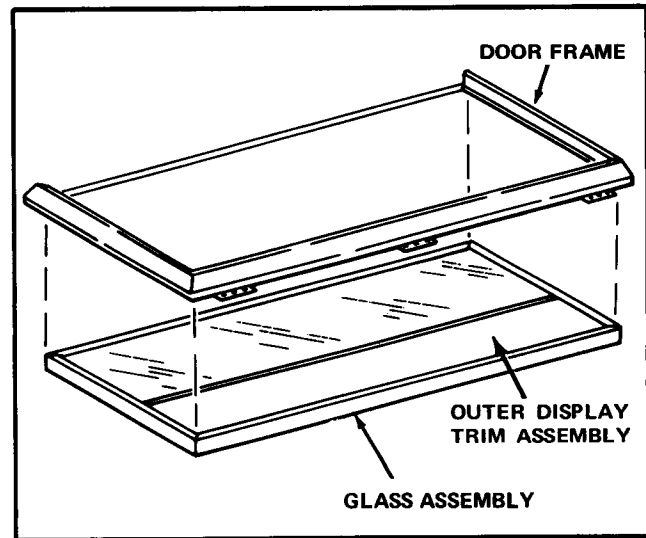


FIGURE 7

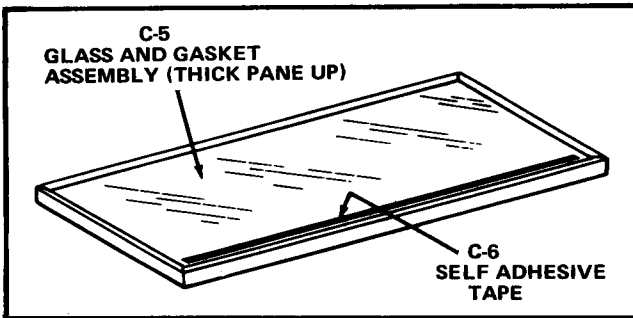


FIGURE 4

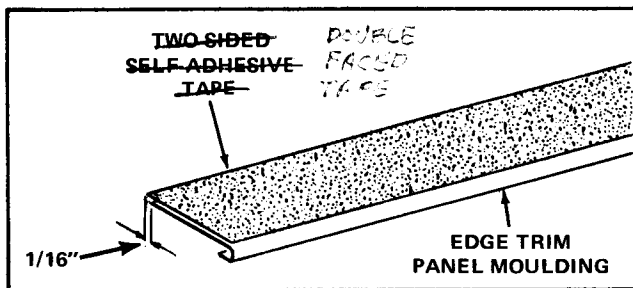


FIGURE 5

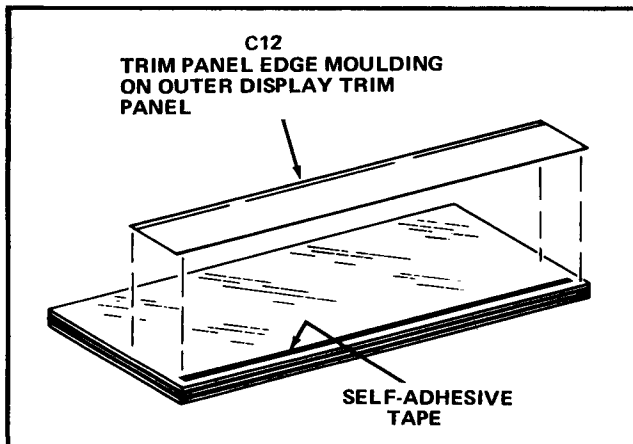


FIGURE 6

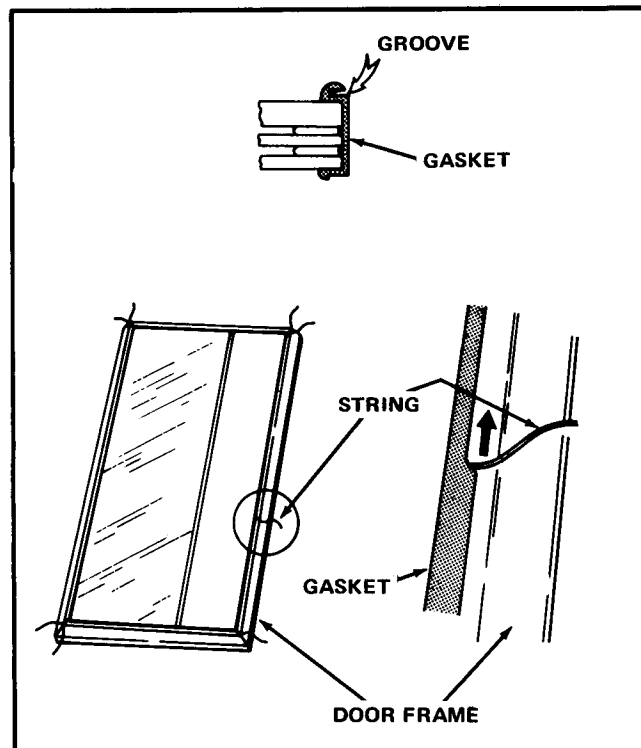


FIGURE 8